

# YIFAN



## SMG Series Cone Crusher

Leading crushing and screening equipment manufacturer in China

Zhengzhou YiFan Machinery Co.,Ltd(the share-holder is Shande Technology (Beijing) Co., Ltd) has its headquarter in Beijing. It is a famous manufacturer of crushing and screening equipment and provides series stone crusher and crushing equipment for customers.



# YIFAN

ZHENGZHOU YIFAN MACHINERY CO.,LTD

Tel:+86 371 64628852 Web : [www.yfcrusher.com](http://www.yfcrusher.com) Add : Zhengyuan Rd, Xingyang, Zhengzhou Henan 450100, China

Having summarized all the advantage of each crushing cavity and experienced theoretical analysis and practical examination, SMG series hydraulic cone crusher designed by YIFAN engineers owns variety of cavities for customer choice. Through selecting suitable cavities and eccentricity, we can do our best to meet our customer's different requirements and realize high capacity. Laminated crushing function can be fully realized with full realized with full load, which contributes to good shape of final product with more cubic particles.

The application of SMG hydraulic cone crusher:

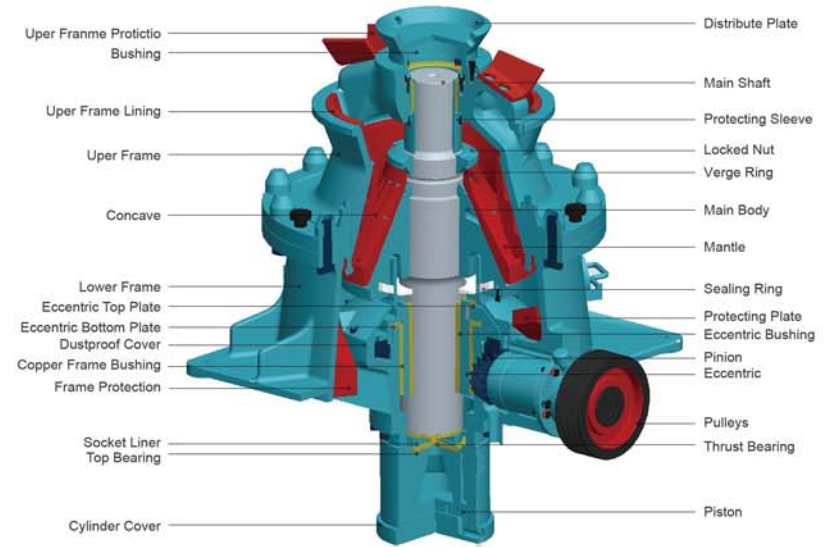
SMG single cylinder hydraulic cone crusher owns the world advanced technology. It is widely used in metallurgical industry, hydro-dam construction, transportation, chemical industry and building materials, is suitable for crushing all sorts of rocks which is hard and medium hard.



## Features and Benefits

1. Great crushing ratio, high efficiency productivity.
2. Laminating crushing, uniform products.
3. Less wearing parts consumption, low operation cost.
4. Through changing the fixed cone to realize coarse crushing or fine crushing.
5. Advanced hydraulic technology can realize safe and efficient protection of overload; the hydraulic control discharge opening can simplified crusher structure and reduce the weight.
6. Thin oil lubrication is reliable, and can improve service life.
7. Simple maintenance, convenient operation.

## Main Components



### 技术参数 Technical Data

破碎机型号 Crusher Model	SMG100			SMG200S		
	腔型 Cavity	粗碎 C	细碎 F	超粗 EC	粗 C	中 M
给料口尺寸 Feed opening(mm)	150	50		360	300	235
冲程 Stroke(mm)	16、20、25	16、20、25				
电机功率 Motor(kw)		75-90			160	
总重(含电机) Total weight(include motor)(t)		7.1			12	

### 破碎机产量 Capacity

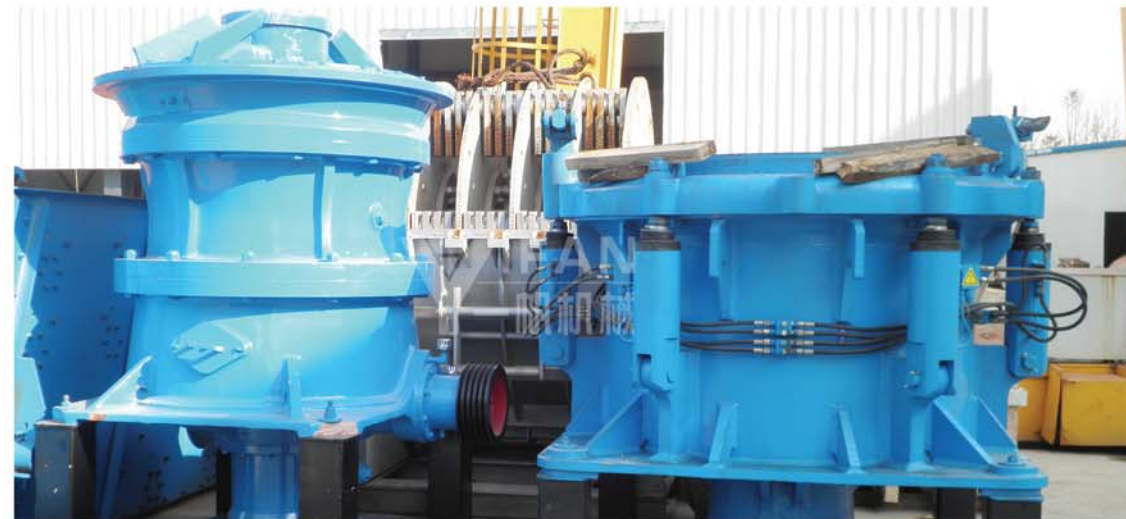
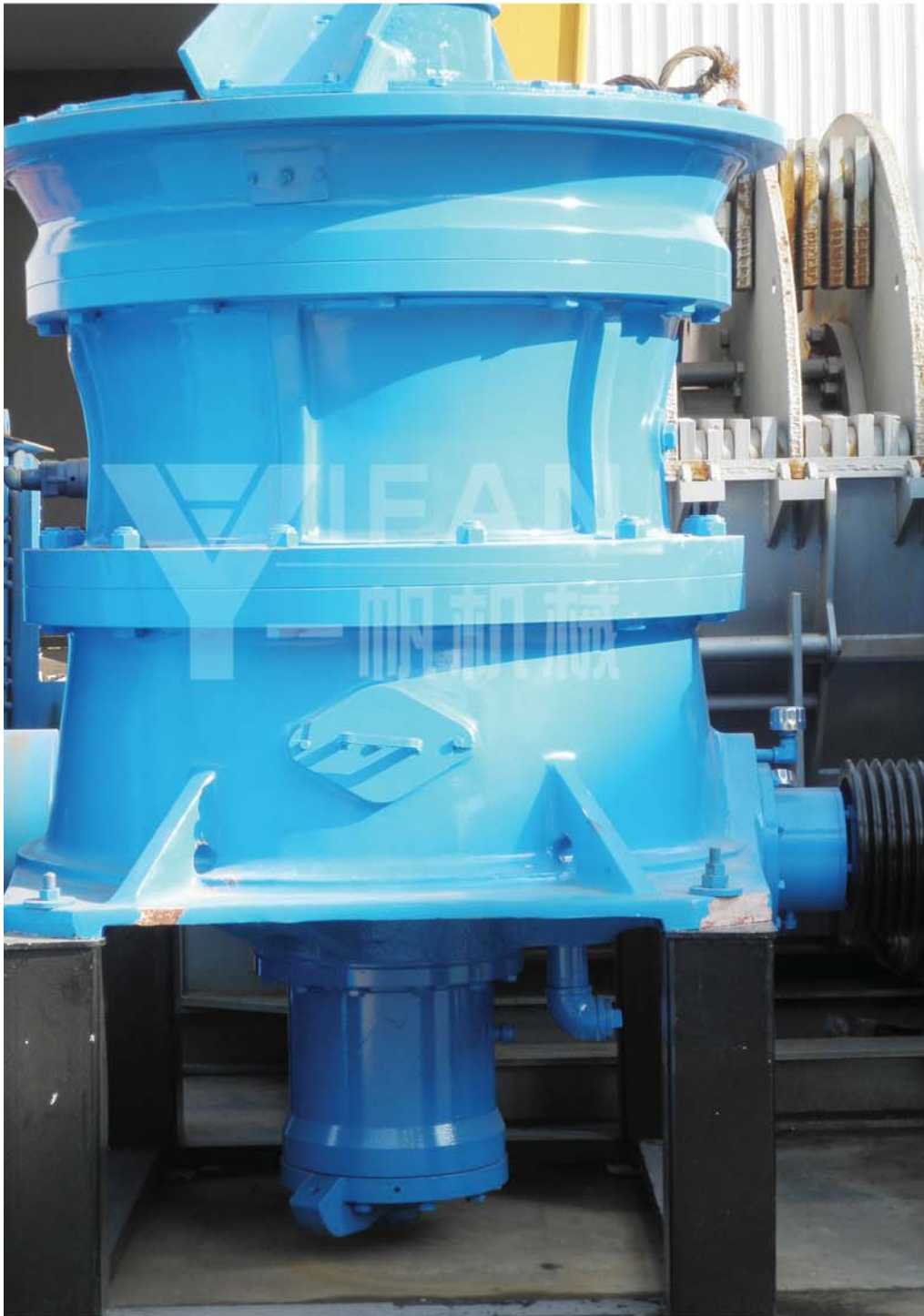
SMG100	排料口C.S.S	产量 Capacity (t/h)							
		7mm	10mm	13mm	16	19	22	25	
冲程 stroke(mm)	16	33-45	45-55	52-65	65-75	75-85	80-90	85-95	
冲程 stroke(mm)	20	43-50	50-60	55-70	70-85	90-100	100-110		
冲程 stroke(mm)	25		55-65	60-75	75-90	100-120			

破碎机 Crusher	腔型 Cavity	闭边排料口C.S.S(mm)下的生产能力 (吨/小时) Closed side C.S.S(mm),Capacity(t/h)											
		19	22	25	29	32	35	38	41	44	48	51	54
SMG200S	EC			125	135-175	148-230	155-290	165-310	175-326	180-330	195-300	200-255	210
	C		105	115-145	125-195	130-250	140-270	150-285	160-295	165-280	180		
	M	90	95-120	105-165	115-215	120-230	130-245	135-260	145-275	150-240	165		

注: 上述生产能力是在破碎物料堆比重为1.6t/m³时开路循环生产中总吨数。生产能力与破碎物料的物理性能、给料方式、进料粒度及其组成等工况有关。

Note: Capacity is total tons per hour passing through crusher at open circuit when bulk density of feeding is 1.6t/m³. Capacities are relative to physics character and type of feeding, feeding size and composition.

*SMG* single cylinder hydraulic cone crusher



SHANDE TECHNOLOGY (BEIJING) CO.,LTD.  
Headoffice Add: Rm422,Nanpeilou Jianshebu,No.11  
Sanlihe Rd,Beijing, China  
Tel: 010-57811256  
Fax: 010-57811257

ZHENGZHOU YIFAN MACHINERY CO., LTD.  
Factory Add: Zhengyuan Rd, Xinyang, Zhengzhou Henan  
Zip Code: 450100  
Tel: +86 371 64628852  
Fax: +86 371 64628872  
Web: [www.yfcrusher.com](http://www.yfcrusher.com)  
E-mail:[yifan@yfmac.com](mailto:yifan@yfmac.com)

# YIFAN